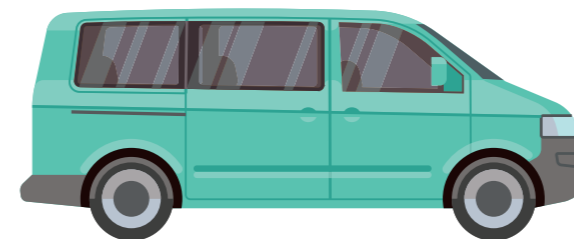
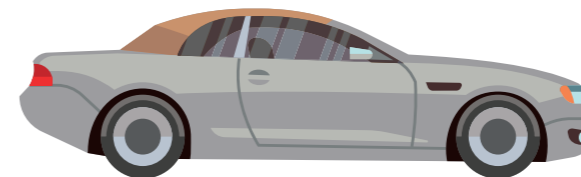
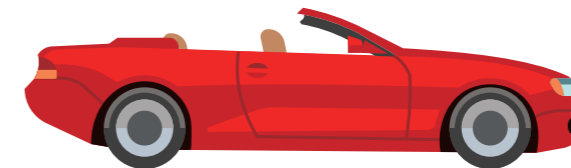


KOYO
elevator



Parking
Equipment



KOYO
elevator

KOYO ELEVATOR CO.,LTD.

Tel: +86-512-5764 6238 / 5706 5517

Fax: +86-512-5764 6808

Add: No.3 Caimao Rd,Zhoushi, Kunshan, 215313, China

E-mail: info@koyocn.com

Web: www.koyocn.com





98

selling over 98 countries
and regions

16

Being Industry model basing
on creating 16 first-elevator-
company in the world



KOYO Elevator Co., Ltd. established a modern production base in Kun Shan city, with total investment of USD130 million in 2002. KOYO is a professional designer, researcher, manufacturer, seller, installer and maintainer of elevator, escalator, passenger conveyer with more than 230,000 square meters land area. At present, KOYO combined with German technology, can produce up to 8m/s speed, 8 group-controlled elevator with 64 floors, 25 m rise height of escalator and 200m length passenger conveyer.

KOYO has cooperated with Suzhou University and Shanghai Jiao Tong University, and successfully researched and developed its own board and control system. Since being established in 2002, KOYO products have been sold well in Germany, France, Italy, America, UK etc. Sales network has reached to 98 countries and areas.

KOYO indraughts advanced fabrication process from Germany and use full-automatic metal plate production equipment. The manufacture of product strictly enforces CCC,GB,VDI, EN81,EN115,CE,TUV,IEC ect. KOYO has been awarded as Hi-Tech Enterprise by the government and also got ISO9001 quality standard certificate, ISO14001 Environmental Management System certificate, OHSAS18001 certificate by international Occupational Health & safety Management System.

Came into being Reshape the value of space

应运而生，重塑空间价值

城市化进程的推进，让城市空间越发拥挤；
日益增长的停车需求，
面临的却是难以满足的车位供给；
通祐立体停车设备由此诞生，
合理的结构规划、先进的功能配置，
让停车变得简单一点。

Urbanization progress, so that more and more crowded
urban space;
Growing demand for parking,
The face is difficult to meet the supply of parking spaces;
KOYO three-dimensional parking equipment was born,
Reasonable structural planning, advanced functional
configuration, Make parking a little easier.



世界领先机械设备 承载完美电梯品质

The world's leading machinery
and equipment carrying the perfect lift quality



智能仓储式停车设备

智能仓储式停车设备能根据需要，利用智能搬运器将车辆移动到指定位置进行存取，空间利用充分，采用全智能自动化控制，运行平稳、定位准确，满足空间集约化的需求。

Intelligent storage parking equipment

Intelligent storage parking equipment can be used according to need, the use of intelligent transport vehicles to move to a specified location for access, space utilization, full intelligent control, smooth operation, accurate positioning to meet the needs of space intensive.



升降横移类停车设备

升降横移类停车设备利用载车板的升降和横移运动来存取车辆，一般为准无人方式，即人离开设备后移动汽车的方式。按其具体构造可分为二层、多层等多种形态，具有较高的空间利用率和灵活性。

Lifting and traversing type parking equipment

Lifting and traversing type The parking equipment uses the lifting and traversing movement of the board to access the vehicles. Generally, it is the unmanned mode, that is, the way of moving the car after leaving the equipment. According to its specific structure can be divided into two layers, multi-layer and other forms, with high space utilization and flexibility.



简易升降类停车设备

简易升降类停车设备通过载车板的升降进行存取车辆的操作，采用钢构式结构，操作简便，安全性高，使用寿命长，能与建筑物融为一体。

Simple lifting type parking equipment

The simple lifting type parking equipment accesses the vehicle through the lifting and translating movement of the car-board. It adopts the steel structure structure, which is simple in operation, high in safety, long in service life and can be integrated with the building.



垂直升降类停车设备

垂直升降类停车设备以升降机为核心，围绕中心的升降机每层可以布置2或4个甚至更多车位，可以满足地上或地下从10层车库到25层车库的使用需求，实现自动化快速安全存取。

Vertical lifting type parking equipment

Vertical lift type of parking equipment to lift as the core, around the center of the lift can be arranged on each floor of 2 or 4 or more parking spaces, to meet the ground or underground garage from 10 to 25 layers of the use of demand, to achieve rapid and secure automated access.



多层循环类停车设备

多层循环类停车设备通过载车板在两个或多个层门上作顺时针或逆时针的水平循环移动，利用两组车台升降动作，让车辆自由进出，操作简单，安全稳定，无需专人管理。

Multi-cycle type of parking equipment

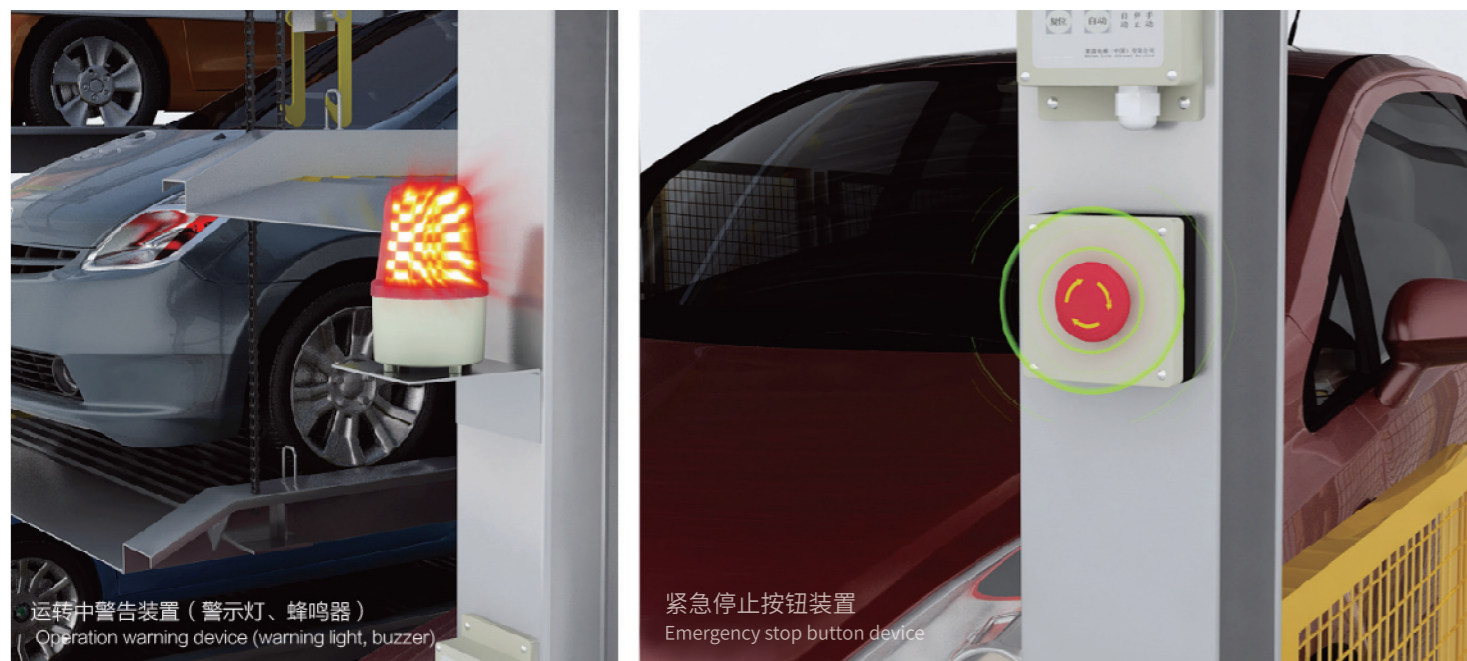
The multi-layer circulating type parking device can move circularly or horizontally in the clockwise or counterclockwise direction through two or more doors of the car-board, so that the two vehicles can be moved in and out freely, and the operation is simple, safe and stable. Personnel management.

停车设备的二十项安全功能

Twenty safety features for parking equipment

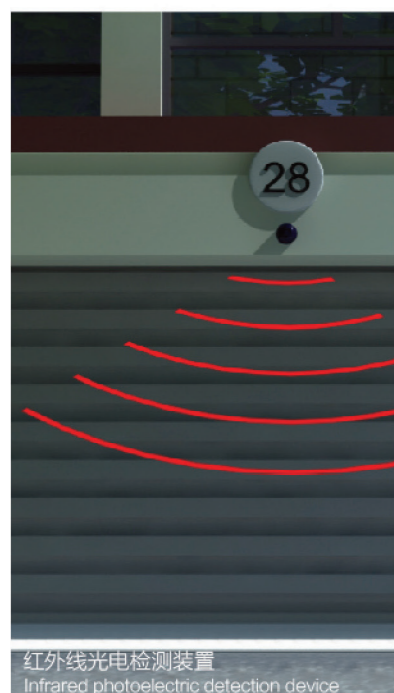
通祐通过完善的安全保护装置和严密的安全措施，建立起一套面向人员、设备及车辆三方的安防体系，完全满足并高于 GB17907 标准。

KOYO through the perfect security protection devices and strict security measures, Establish a set of personnel, equipment and vehicles for the tripartite security system, Fully meet and higher than the GB17907 standard.



运转中警告装置（警示灯、蜂鸣器）
Operation warning device (warning light, buzzer)

紧急停止按钮装置
Emergency stop button device



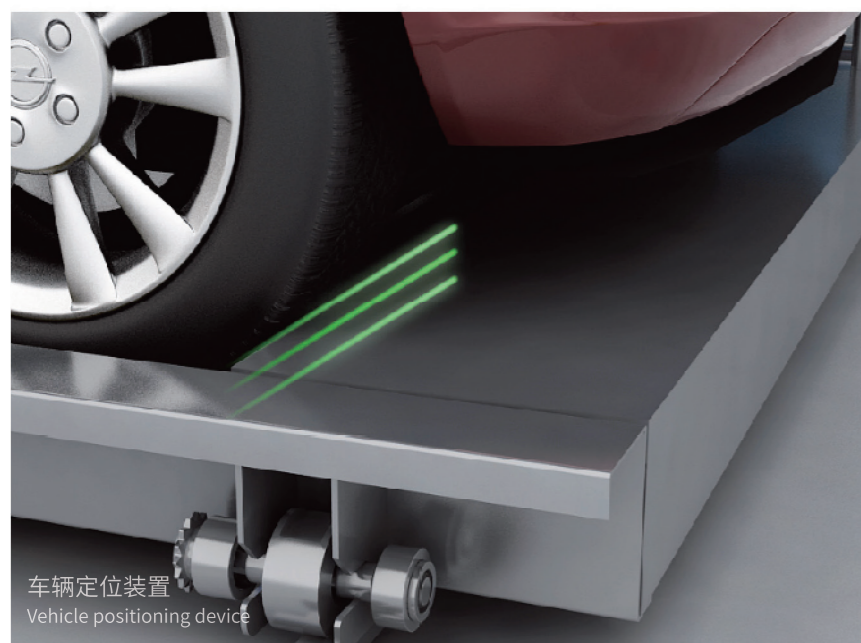
红外线光电检测装置
Infrared photoelectric detection device

SECURITY FUNCTION

安全功能



横移车板超限保护
Transverse the car plate overrun protection



车辆定位装置
Vehicle positioning device



安全使用标识、标牌
Safe use of signs, signs

1、运转中警告装置（警示灯、蜂鸣器）	Alarming Device in Operation (Warning Light, Buzzer)
2、双重上下极限开关，防止超速装置	Double Up and Down Limit Switch, Over-speed Device
3、紧急停止按钮装置	Emergency Stop Button Device
4、汽车超长限制装置	Vehicles Over-length Limit Device
5、防人、车误闯入光电检测装置	Prevention of People or Vehicles Entering into Photoelectric Detection Device
6、防护栏	Protective Guard
7、断电制动装置	Power - off brake device
8、红外线光电检测装置	Infrared Ray Photoelectric Detection Device
9、上层车板防坠落装置	Upper Plate Falling Protection Device
10、电气保护（保护电源、电压和电流，防雷电、抗干扰）	Electric Protection (Protect Power Supply, Voltage and Current, Thunder Prevention, Anti- interference)
11、横移车板超限保护	Sideway Plate Limit Protection
12、升降车板超限保护	Rise and Fall Plate Limit Protection
13、超限光电开关（防止车辆划伤）	Limit Photoelectric Button (Prevent Vehicles Scratching)
14、车辆定位装置	Vehicles Positioning Device
15、紧急维修手动操作器	Emergency Maintenance Manual Station
16、智能显示终端	Smart Display Terminal
17、运转超时保护装置	Operation Overtime Protection Device
18、运转连锁装置	Operation Chain Device
19、故障自诊和中文显示	Fault diagnosis and Chinese display
20、安全使用标识、标牌	Safety Logo and Mark



简易升降类立体停车库

Simple lift type three-dimensional parking garage

简易停车设备，动作简单，安全可靠，操作便捷，造价低廉。链条驱动或油压双缸，运转安静运行平稳。该设备多用于企事业单位、家庭住宅和地下室等。

Simple parking equipment, simple action, safe and reliable, simple operation, while low cost. Chain-driven or hydraulic twin-cylinder, running quiet and smooth operation. The equipment used for enterprises and institutions, family housing and basement.

- 有效利用空间，空间利用率达数倍。
- 钢构式结构，使用安全，设备使用寿命长。
- 采用十多种安全装置，使设备安全运行。

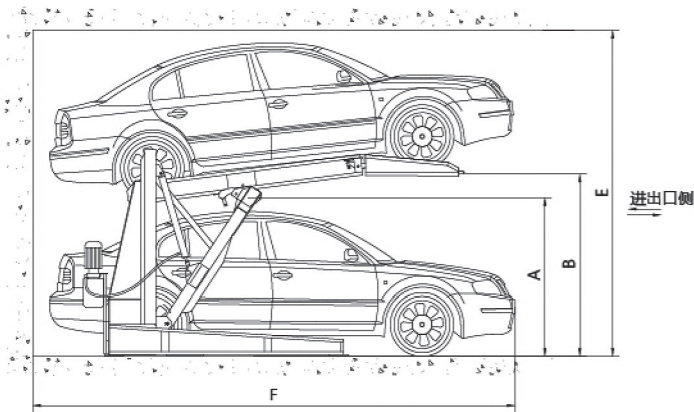
- With effective use of space, the space utilization rate is increased by several times.
- Steel structure, safe operation, long service life of equipment.
- With the introduction of a dozen of security devices, the equipment can run smoothly.



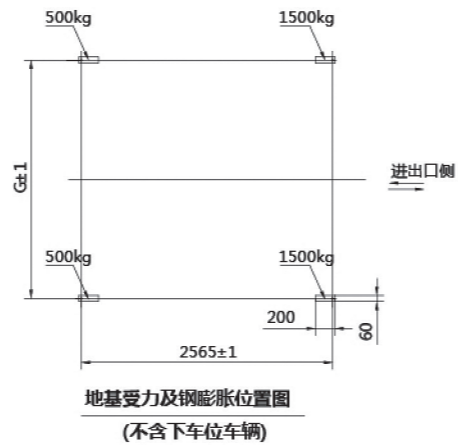
PJS 型 简易升降类立体停车库 (MINI)

PJS Mini Lifting Mechanical Parking Equipment (MINI)

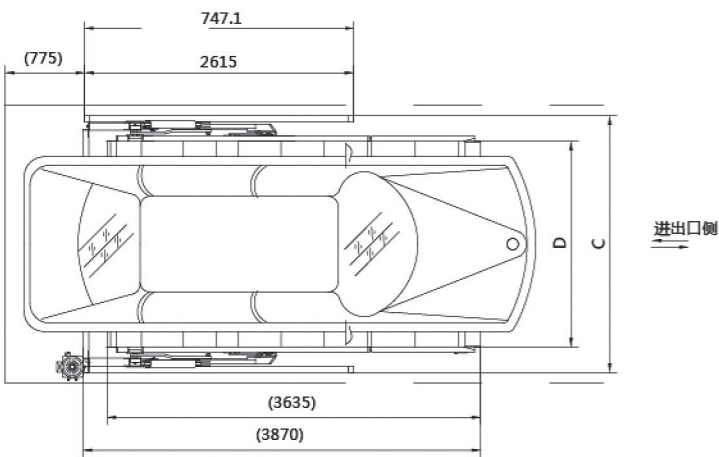
侧视图 Side view



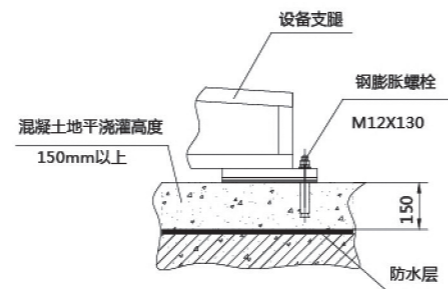
土建图 Construction layout



俯视图 Top view



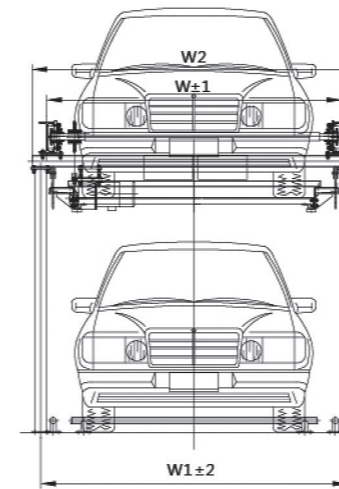
固定基础示意图 Fixed base diagram



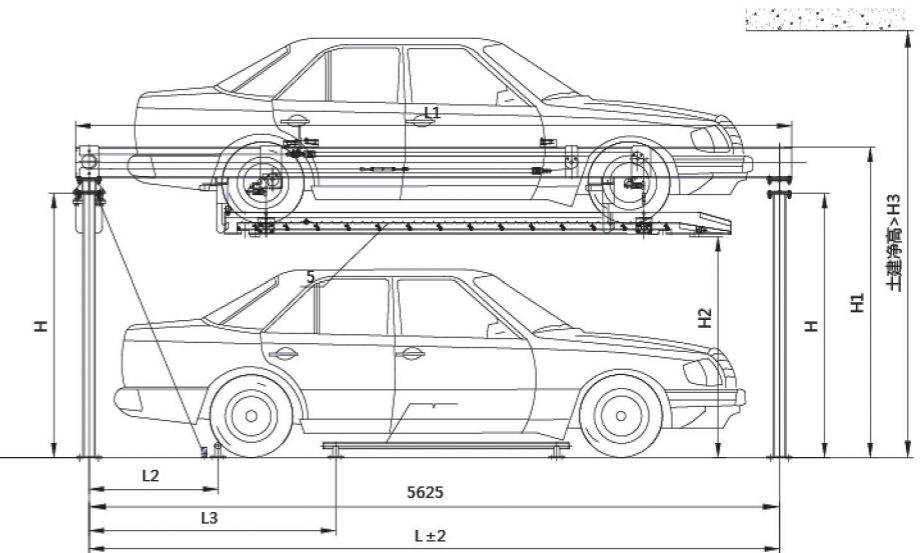
PJS 型 简易升降类立体停车库 (四柱式)

PJS Mini lifting Mechanical Parking Equipment (Four-pillar type)

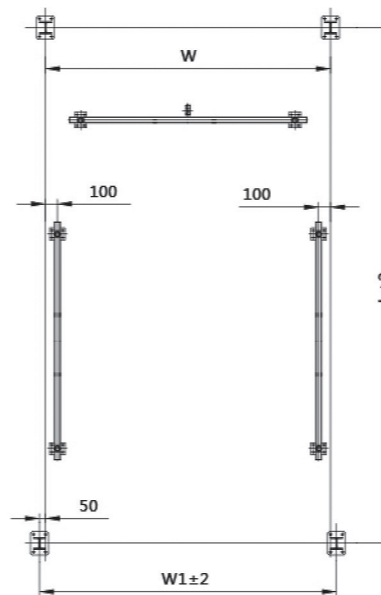
立面图 Elevation



侧视图 Side view



挡车架分布图
Distribution of frame



容车宽度 Width of vehicle	W	W1	W2	备注 Note
1800	2300	2400	2540	列宽 2300
1850	2350	2450	2590	列宽 2350
1900	2400	2500	2640	列宽 2400
1950	2450	2550	2690	列宽 2450
2000	2500	2600	2740	列宽 2500
2050	2550	2650	2790	列宽 2550
2100	2600	2700	2840	列宽 2600

容车长度 Length of vehicle	L	L1	L2	L3	备注 Note
5200	5625	5835	1050	2010	
5100	5525	5735	1000	1960	
5000	5425	5635	950	1910	
4900	5325	5535	900	1860	
4800	5225	5435	850	1810	
4700	5125	5335	800	1760	

容车高度 High of vehicle		H	H1	H2	H3	备注 Note
下段	上段					
1550	1550	2152	2530	1800	3480	
1550	2050	2152	2530	1800	3980	
2050	1550	2502	2880	2150	3830	
2050	2050	2502	2880	2150	4330	

参数 parameter	技术参数 Technique parameter
升降速度 Lift speed	4~5m/min
升降电机功率 Lift motor power	2.2kW
电源 Power	三相交流 380V 50Hz

容车规格 Specifications of vehicles					
型式 Pattern	31A	31B	27A	27B	
车长 Length	5000mm	4700mm	5000mm	4700mm	
车宽 Width	1850mm	1800mm	1850mm	1800mm	
含后视镜宽 With side mirror	1950mm	1900mm	1950mm	1900mm	
车高 Height	1550mm	1450mm	1550mm	1450mm	
车重 Weight	1700kg	1500kg	1700kg	1500kg	

技术参数 Technique parameter	
操作方式 Operation method	旋钮式钥匙开关 Knob key switch
控制方式 Control mode	电控油压式 Electrically controlled compression
电机功率 Motor Power	1.5 kw
电源容量 Power capacity	3 KVA
电源 Power	AC220V 50Hz 单相
额定速度 Rated speed	上升约 50s, 下降约 20s
工作压力 Working pressure	16 MPa
溢流压力 Pressure Relief	20 MPa
容车数量 Number of vehicles	2 辆

尺寸规格 Specifications of size							
型号 Type	A(Max)	B(Max)	C	D	E	F	G
31A	1700	2000	2495	2000	>3100	≥ 5100	2435
31B			2330	1835			2270
27A	1200	1800	2495	2000	2700-3100	>5400	2435
27B			2330	1835			2270

PPY 平面移动类立体停车库 (载车板式)

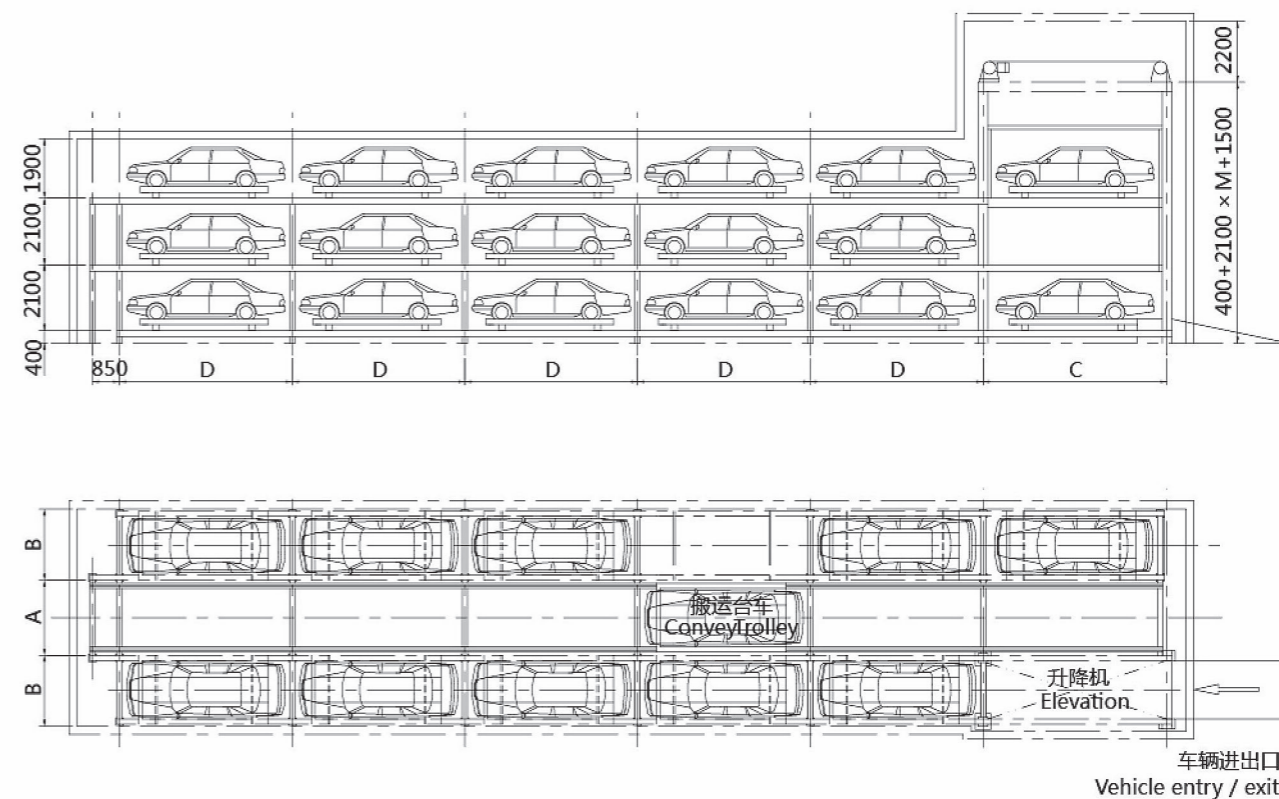
PPY PLANE SHIFTING MECHANICAL PARKING SYSTEM (VEHICLE PLATE TYPE)



平面移动类立体停车库

Plane Shifting Mechanical Parking System

- 无需坡道，节省占地，容车密度大，可以最大化提高土地利用率。
- 自动存取，存取车快捷，一次按键即可完成存取车。
- 设有安全保护装置，使用安全可靠，避免各种意外发生。
- Without ramp way, it can save space; with large storage density, it can improve land utilization to the largest extent.
- With automatic vehicle parking and withdrawing system and quick control, single touch on button can complete vehicle parking or withdrawing.
- Equipped with safety protection, it is safe and reliable, and can avoid all kinds of accidents.



技术参数 Technique parameter

项目 project	形式 type	T2 型
容车尺寸规格 Dimensions and specifications of Vehicle	全长 Total length	5200 mm
	全宽 (不含后视镜) Total Width(Does not contain side mirror)	1900 mm
	全高 Total height	1550 mm
	全重 Total weight	2200 kg
升降装置 Lifting device		电机: 7.5kw 最大速度: 32m/min (变频)
横移装置 Traversing device		电机: 0.75kw 最大速度: 16m/min (变频)
行走装置 Walking device		电机: 1.1kw*2 最大速度: 70m/min (变频)
操作方式 Operation method		触摸屏 / 刷卡 Touch screen / swing card
电源容量 Power capacity		动力用电: AC380V 50HZ 15KVA



升降横移类停车设备

Lift-sliding Mechanical Parking System

- 模块化设计，安装灵活，使用范围广；
- 优质钢材结构，安全可靠、经久耐用；
- 设有防坠落、上下限位等装置，运行安全可靠；
- 空间利用率高，可成倍提高停车数量，适合小区配置、地下车库增容改造。

- Modular design, flexible installation, wide application;
- Quality steel structure, safe, reliable and durable;
- Fall-resistance, upper and lower limit, safe and reliable operation;
- High space utilization, doubled the parking numbers, suitable for communities and enlarging underground garage.

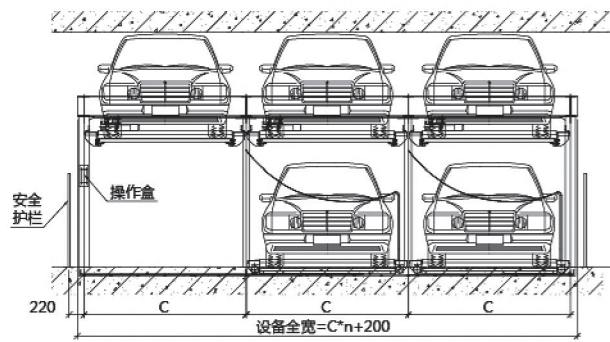
技术参数 Technique parameter

形式 type 项目 project	PSH2	PSH3	PSH4	PSH5	PSH6
设备全宽 Total width	CXN (列数) +150 CXN (mmbercifcolumnns) +150	CXN (列数) +300 CXN (rxjmberefcokiTins) +300	CXN+400	CXN+500	CXN+500
停车容量 Park capacity	NX 2-1	NX 3-2	NX 4-3	NX 5-4	NX 6-5
升降速度 \ 横移速度 Lift speed\Slide speed	4.0~5.0m/min\6.0 ~ 8.0m/min				
升降减速电机 \ 横移减速电机 Lift reduceAslide reducer	2.2kw\0.2kw				
电源 \ 电池容量 Power\Power capacity	380V 50Hz 4KVA-6KVA				
驱动方式 Drive mode	注：两层为链条，三层及以上均为钢索式 Note: two layers for the chain, three and above are cable type				
驱动方式 \ 操作方式 Operation method	触摸屏 Touch screen				

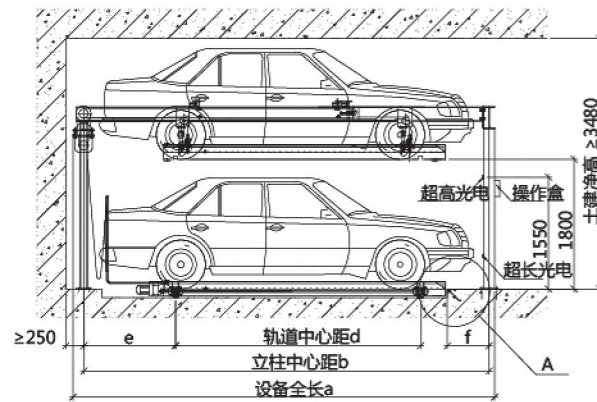
PSH-2层 升降横移类立体停车库（小机坑）

PSH-2 LIFT-SLIDING MECHANICAL PARKING SYSTEM
(SMALL MACHINE PIT)

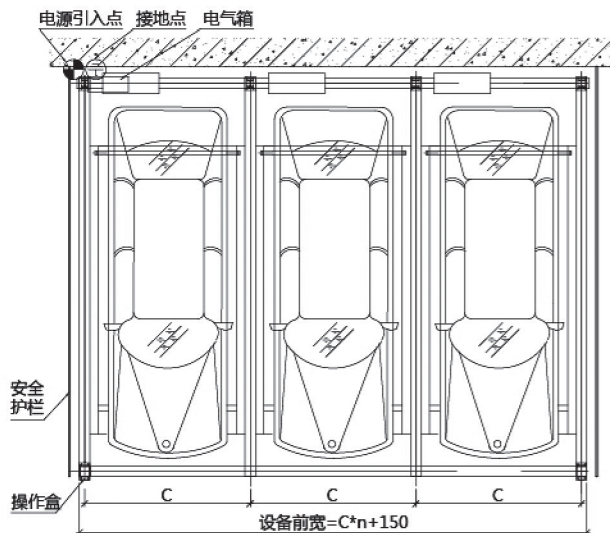
正视图 Positive view



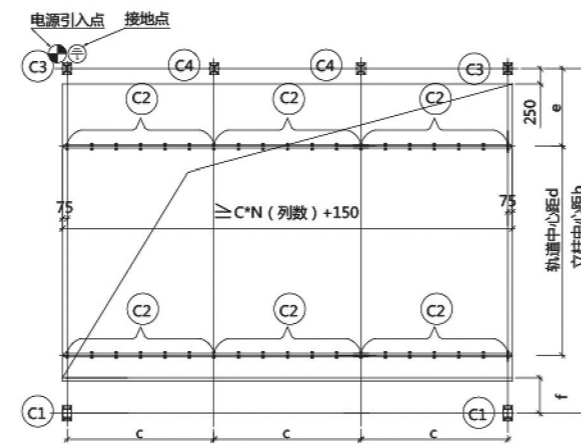
侧视图 Side view



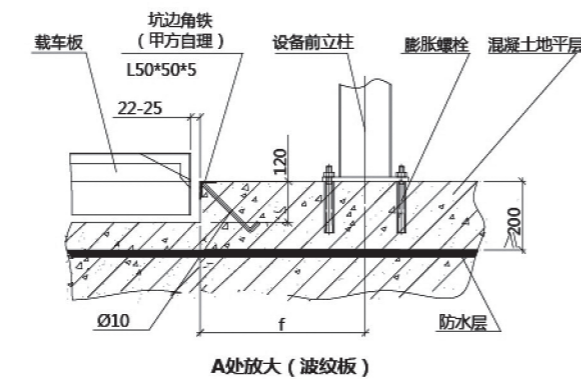
俯视图 Top view



土建图 Construction layout



局部示图 Local graph



A处放大（波纹板）

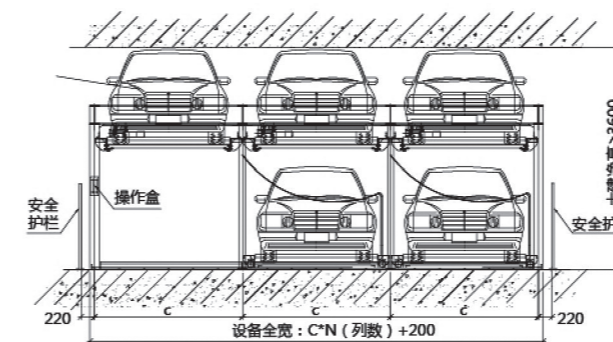
标准技术规格参数 Standard Technique specification parameter			
型式 Pattern	D 型	T2 型	
收容车种 Maximum car dimensions	车长 Length	5000 mm	5200 mm
	车宽 Width	1850 mm	1900 mm
	含后视镜宽 With side minor	1950 mm	2000 mm
	轮胎外宽 Tyre to tyre	1800 mm	1860 mm
	车高 Height	1550 mm	1550 mm
	车重 Weight	2000 kg	2000 kg
升降速度 Lift speed	4.0~5.0m/min		
横移速度 Slide speed	7.0~8.0m/min		
驱动方式 Drive way	电机链条式 Motor-chain type		
升降电动机 Lift motor	2.2Kw		
横移电动机 Slide motor	0.2Kw		
电源容量 Power capacity	4KVA		
电源 Power	AC380V 50Hz		
操作方式 Operation method	触摸屏 Touch screen		
设备全宽 Total width	C*N (列数)+200		
停车容量 Park capacity	N*2-1		

荷载受力参数表 Load Force Parameter Table	
立柱 Column	荷载 N
C1	31360
C2	13720
C3	10460
C4	20920

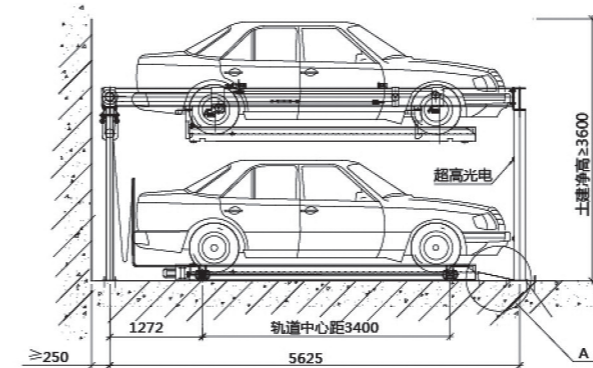
PSH-2层 升降横移类立体停车库（共用前坡板）

PSH-2 LIFT-SLIDING MECHANICAL PARKING SYSTEM
(SHARED FRONT SLOPE PLATE)

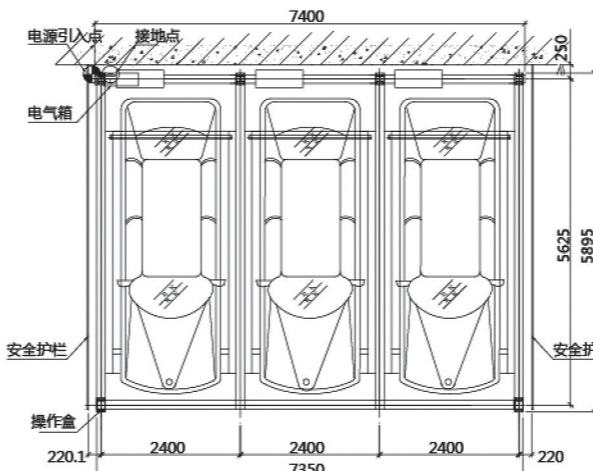
正视图 Positive view



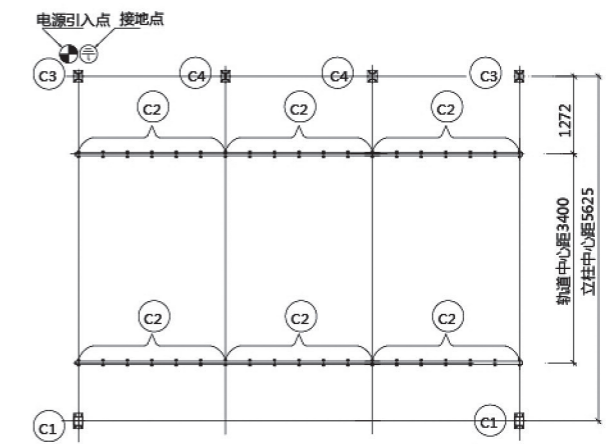
侧视图 Side view



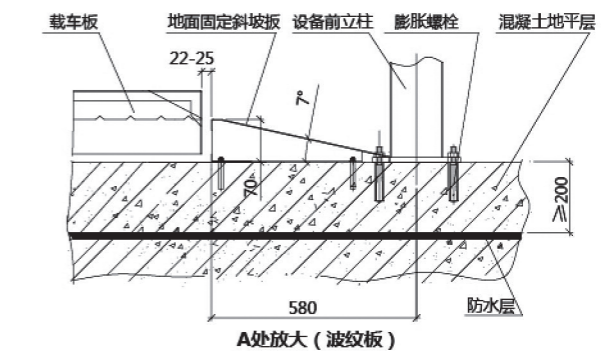
俯视图 Top view



土建图 construction layout



局部示图 Local graph



A处放大（波纹板）

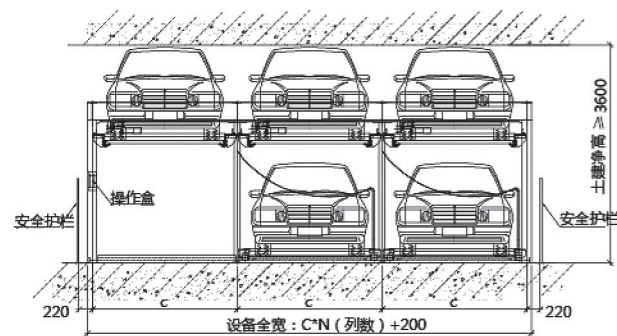
标准技术规格参数 Standard Technique specification parameter			
型式 Pattern	D 型	T2 型	
收容车种 Maximum car dimensions	车长 Length	5000 mm	5200 mm
	车宽 Width	1850 mm	1900 mm
	含后视镜宽 With side minor	1950 mm	2000 mm
	轮胎外宽 Tyre to tyre	1800 mm	1860 mm
	车高 Height	1550 mm	1550 mm
	车重 Weight	2000 kg	2000 kg
升降速度 Lift speed	4.0~5.0m/min		
横移速度 Slide speed	7.0~8.0m/min		
驱动方式 Drive way	电机链条式 Motor-chain type		
升降电动机 Lift motor	2.2Kw		
横移电动机 Slide motor	0.2Kw		
电源容量 Power capacity	4KVA		
电源 Power	AC380V 50Hz		
操作方式 Operation method	触摸屏 Touch screen		
设备全宽 Total width	C*N (列数)+200		
停车容量 Park capacity	N*2-1		

荷载受力参数表 Load Force Parameter Table	
立柱 Column	荷载 N
C1	31360
C2	13720
C3	10460
C4	20920

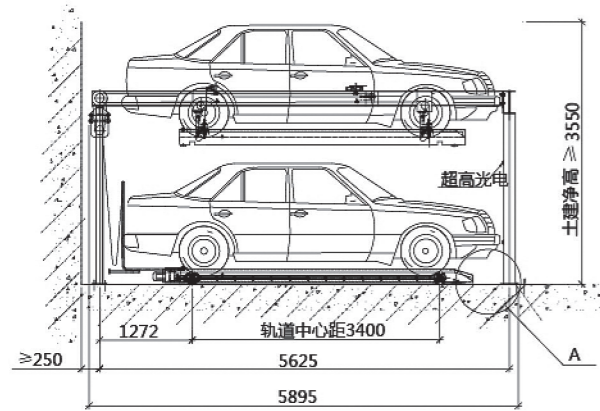
PSH-2层 升降横移类车库（自带前坡板）

PSH-2 LIFT-SLIDING MECHANICAL PARKING SYSTEM
(WITH FRONT-SLOPE PLATE)

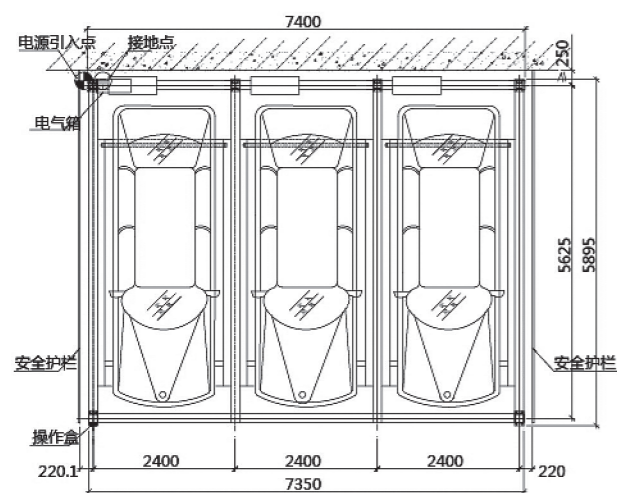
正视图 Positive view



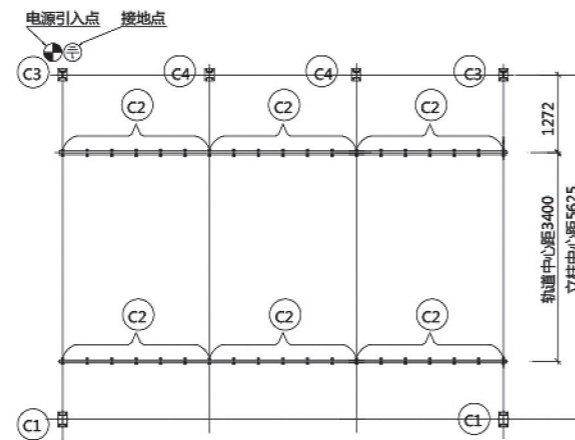
侧视图 Side view



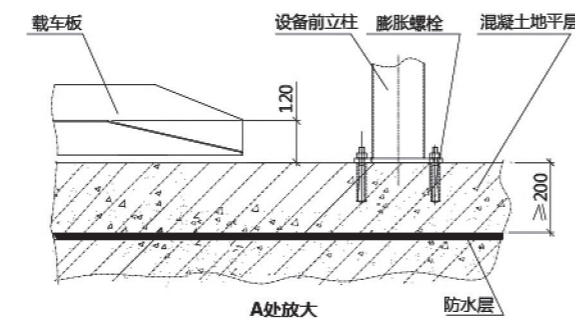
俯视图 Top view



土建图 construction layout



局部示图 Local graph



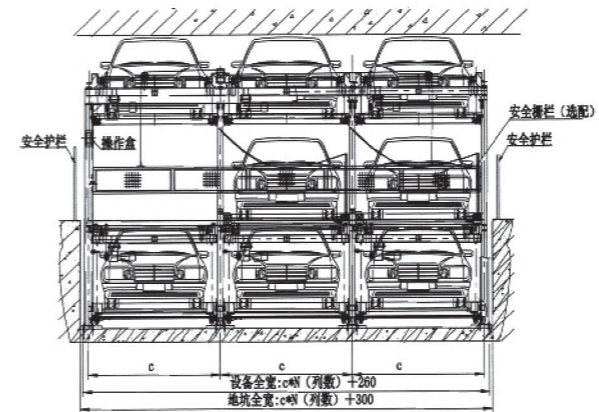
标准技术规格参数 Standard Technique specification parameter			
型式 Pattern		D 型	T2 型
收存车种 Maximum Car dimensions	车长 Length	5000 mm	5200 mm
	车宽 Width	1850 mm	1900 mm
	含后视镜宽 With side minor	1950 mm	2000 mm
	轮胎外宽 Tyre to tyre	1800 mm	1860 mm
	车高 Height	1550 mm	1550 mm
	车重 Weight	2000 kg	2000 kg
升降速度 Lift speed		4.0~5.0m/min	
横移速度 Slide speed		7.0~8.0m/min	
驱动方式 Drive way		电机链条式 Motor-chain type	
升降电动机 Lift motor		2.2Kw	
横移电动机 Slide motor		0.2Kw	
电源容量 Power capacity		4KVA	
电源 Power		AC380V 50Hz	
操作方式 Operation method		触摸屏 Touch screen	
设备全宽 Total width		C*N (列数)+200	
停车容量 Park capacity		N*2-1	

荷载受力参数表 Load Force Parameter Table	
立柱 Column	荷载 N
C1	31360
C2	13720
C3	10460
C4	20920

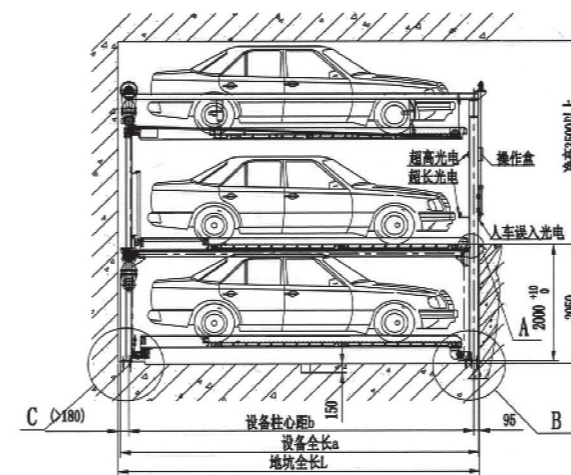
PSH-3层 — (负一正二) 升降横移类立体停车库

PSH-3-D1 LIFT-SLIDING MECHANICAL PARKING SYSTEM

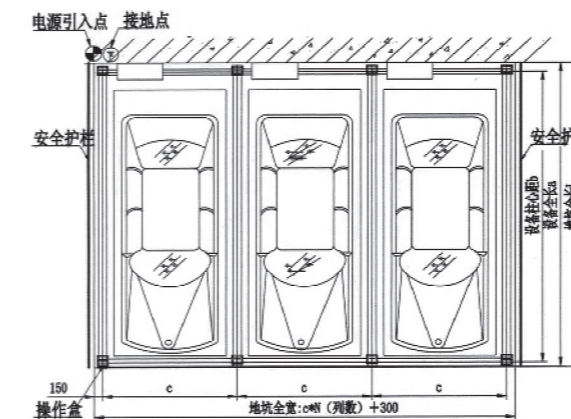
正视图 Positive view



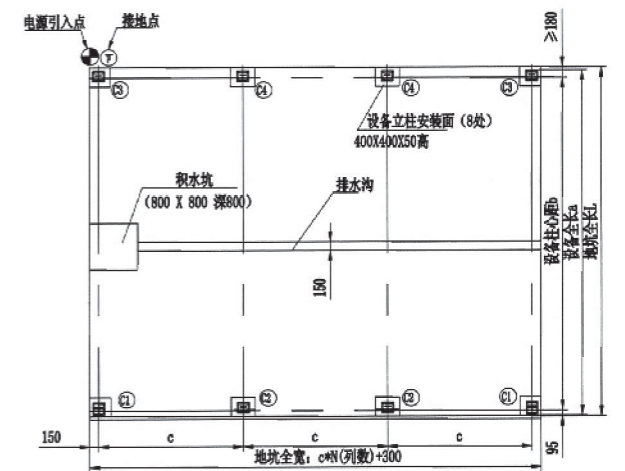
侧视图 Side view



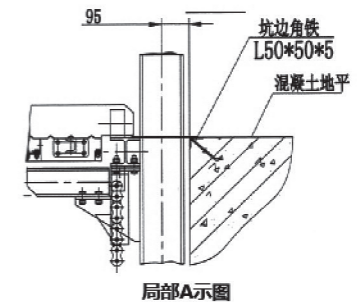
俯视图 Top view



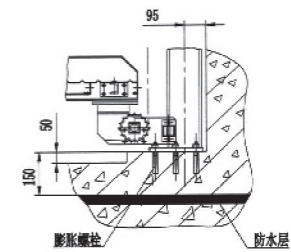
土建图 construction layout



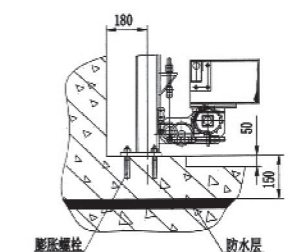
局部示图 Local graph



局部A示图



局部B示图

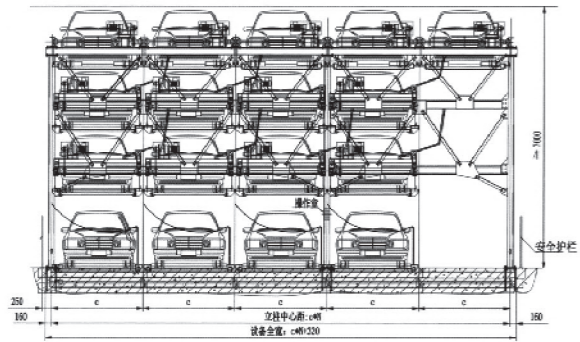


局部C示图

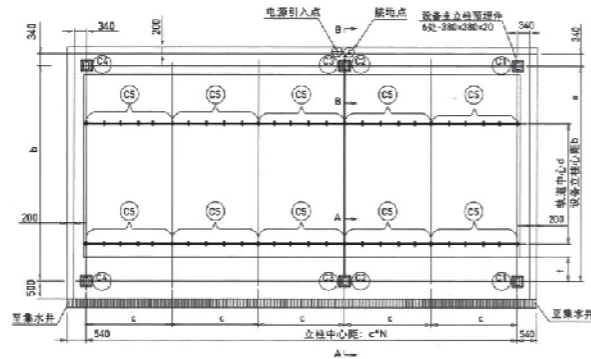
**PSH-4 层
升降横移类立体停车库**

PSH-4 LIFT-SLIDING MECHANICAL PARKING SYSTEM

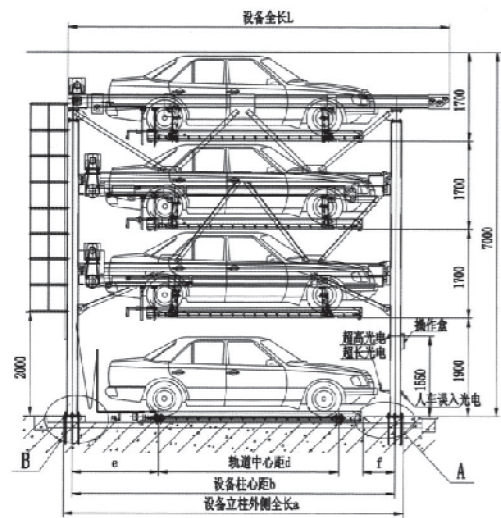
正视图 Positive view



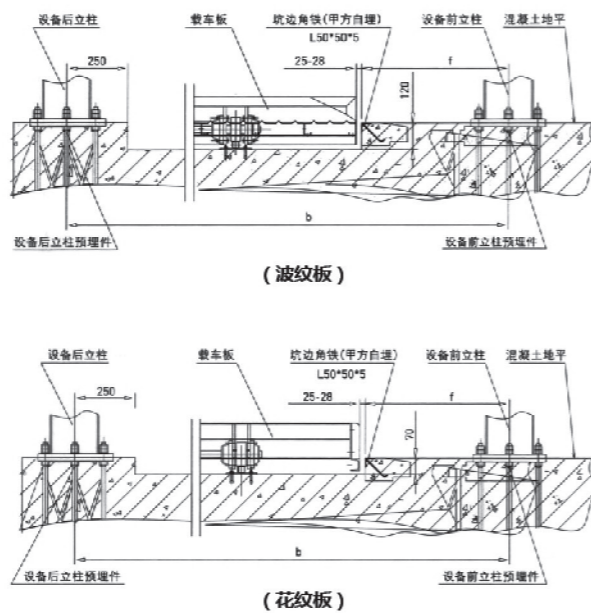
土建图 construction layout



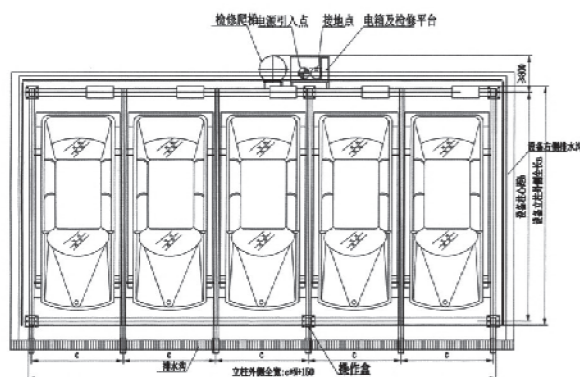
侧视图 Side view



局部示图 Local graph



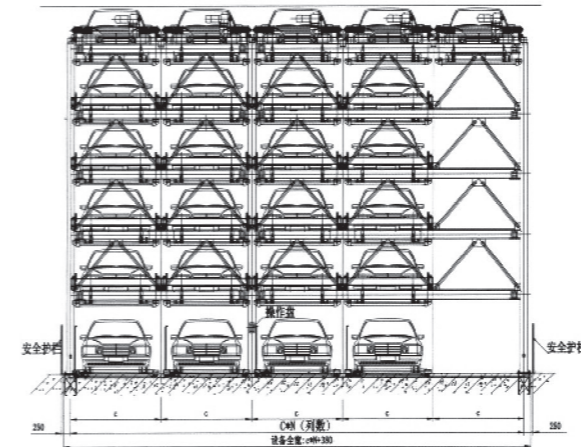
俯视图 Top view



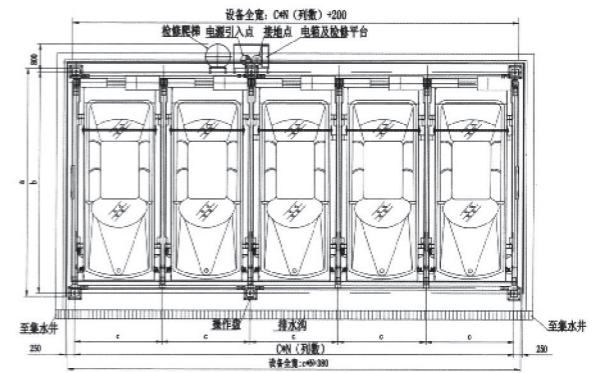
**PSH-6 层
升降横移类立体停车库**

PSH-6 LIFT-SLIDING MECHANICAL PARKING SYSTEM

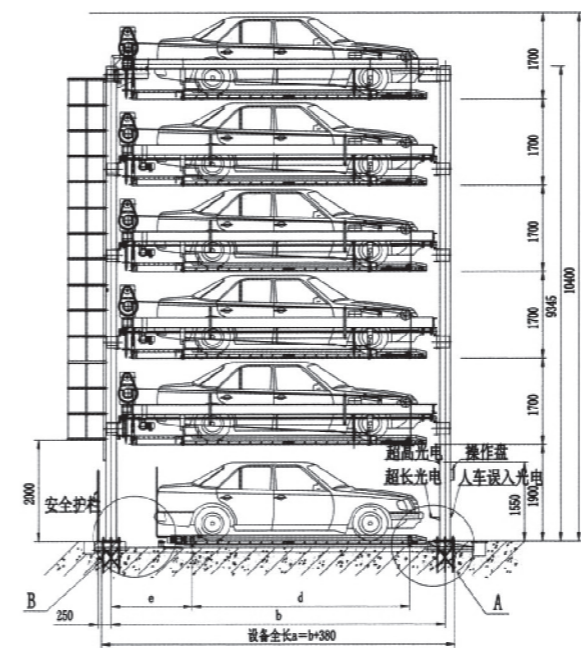
正视图 Positive view



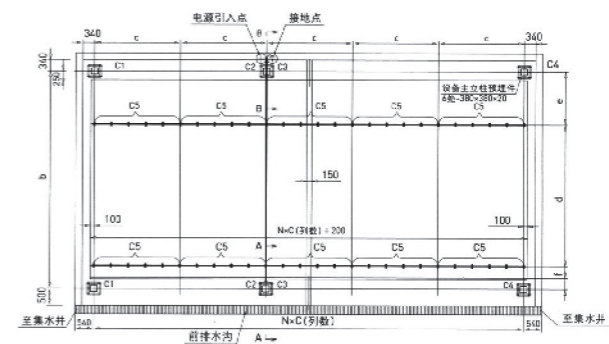
俯视图 Top view



侧视图 Side view



土建图 construction layout



局部示图 Local graph

